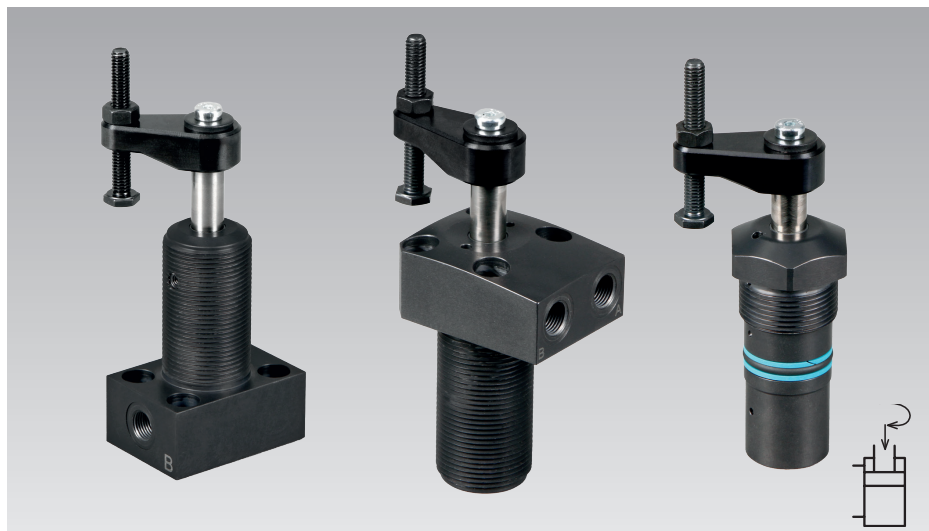




Compact swing clamps with robust sturdy swing mechanism
Bottom flange, top flange, threaded-body type, metal-protected wiper, double-acting, max. operating pressure 350 bar



Advantages

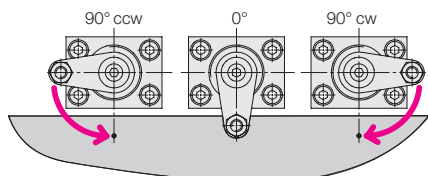
- High clamping force at low operating pressure
- Compact design
- Sturdy swing mechanism
- Metal-protected wiper
- FKM seals as standard
- Special swing angle in standard versions

Application

Hydraulic swing clamps are used for clamping of workpieces when it is essential to keep the clamping area free of straps and clamping components for unrestricted workpiece loading and unloading.

Swing direction

The swing clamps are available with clockwise or counterclockwise swing motion or without swing motion (0°).

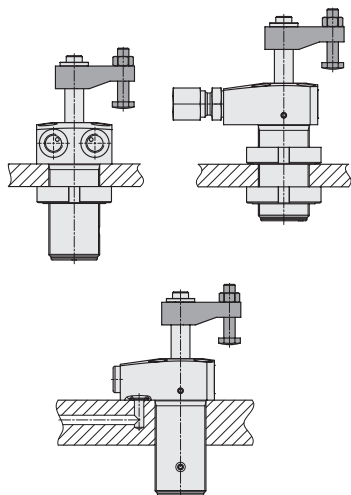


Accessories see page 4

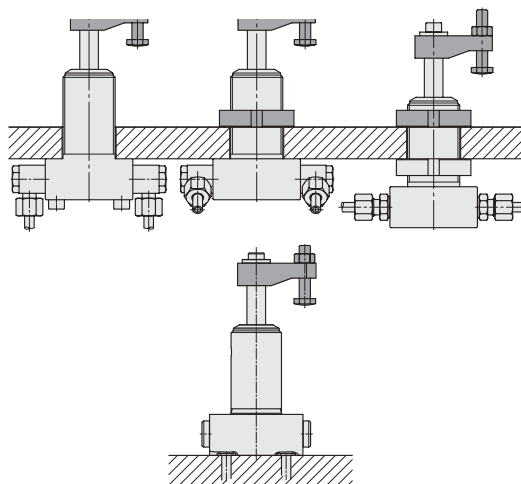
- Clamping arm
- Lock nut

Connecting types

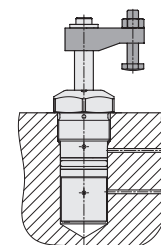
Top flange
pipe threads and drilled channels



Bottom flange
Pipe thread and drilled channels



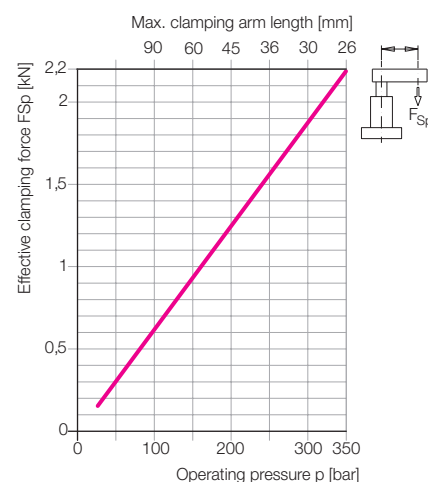
Threaded-body type
Drilled channels



Technical data

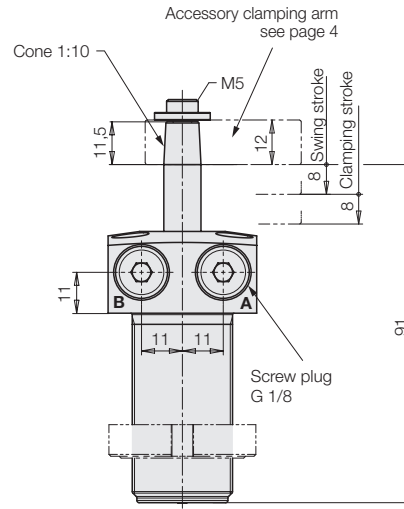
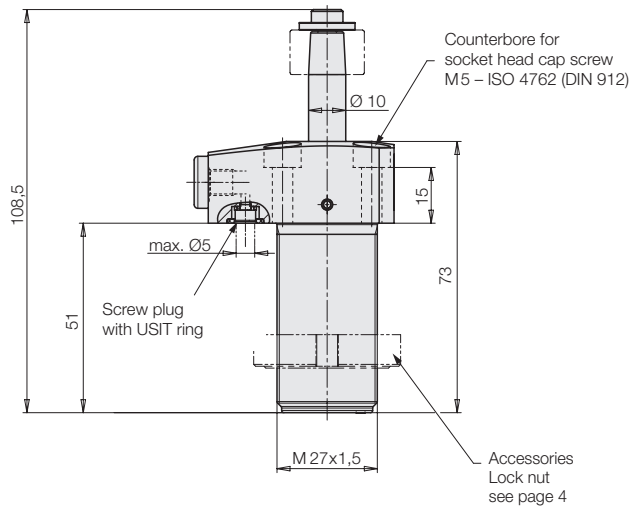
Piston Ø	[mm]	14
Rod Ø	[mm]	10
Effective piston area		
Clamping	[cm ²]	0.754
Unclamping	[cm ²]	1.54
Required oil per stroke		
Clamping	[cm ³]	1.2
Unclamping	[cm ³]	2.5
Max. flow rate		
Clamping	[cm ³ /s]	5
Unclamping	[cm ³ /s]	10
Min. operating press.	[bar]	30
Max. operating press.	[bar]	350
Max. pull force	[kN]	2.63
Effect. clamping force	[kN]	see diagram
Swing angle	[°] (0, 45, 60, 90) ±2	
Swing stroke	[mm]	8
Clamping stroke	[mm]	8
Total stroke	[mm]	16

Clamping force diagram

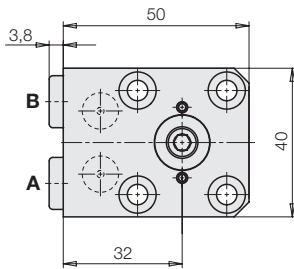


Top flange / Bottom flange

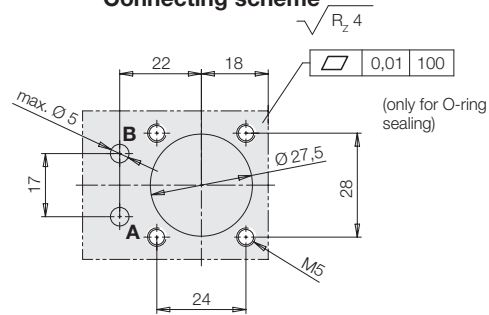
Top flange



A = Clamping
B = Unclamping

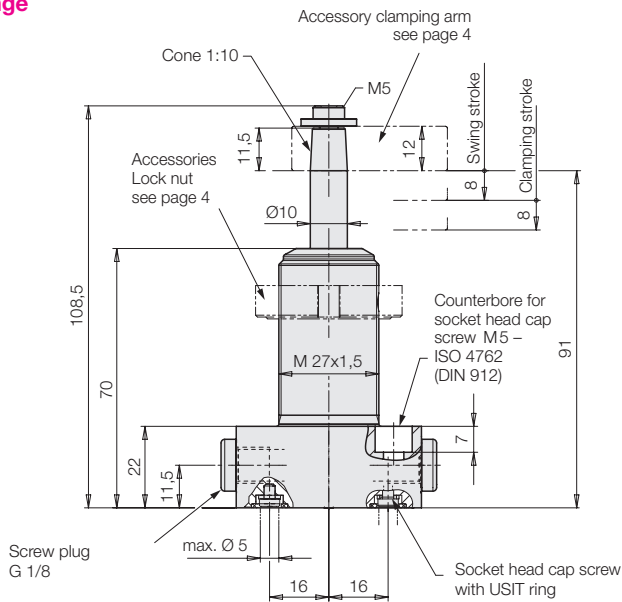


Connecting scheme



Weight: 0.42 kg

Bottom flange



Delivery

Socket head cap screws, screw plugs, and O-rings for the connection with drilled channels are included in the delivery.

Spare-O-ring (FKM):

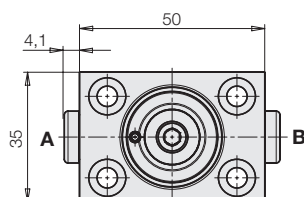
for top flange: 8 × 1,5 mm,

Part no. 3000275

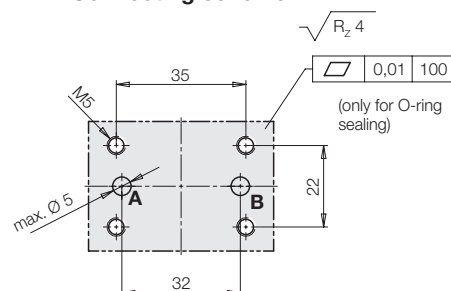
for bottom flange: 7 × 1,5 mm,

Part no. 3001077

A = Clamping
B = Unclamping



Connecting scheme

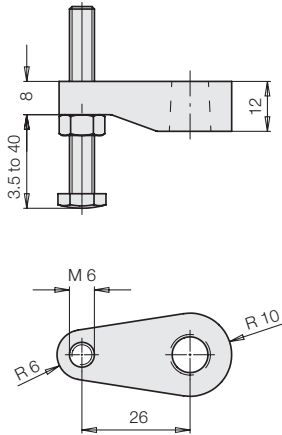


Weight: 0.42 kg

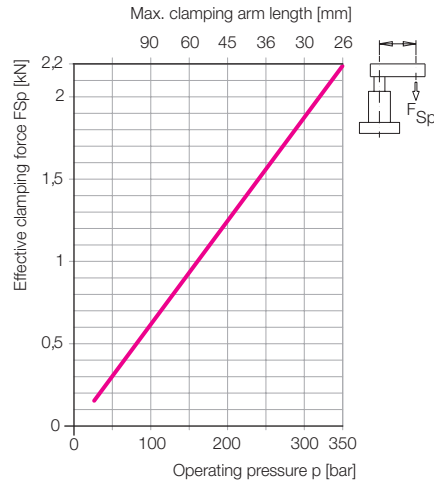
Operating conditions, tolerances and other data see data sheet A 0.100.

Clamping arm, complete
max. 350 bar

Part no. 0354057



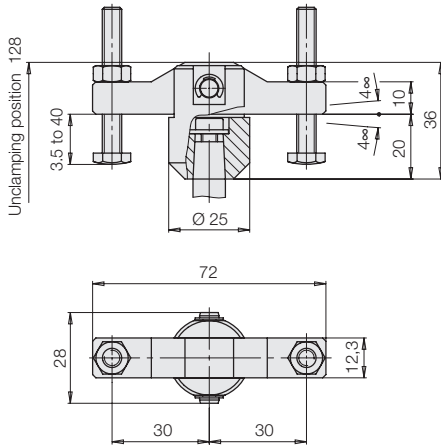
Clamping force diagram



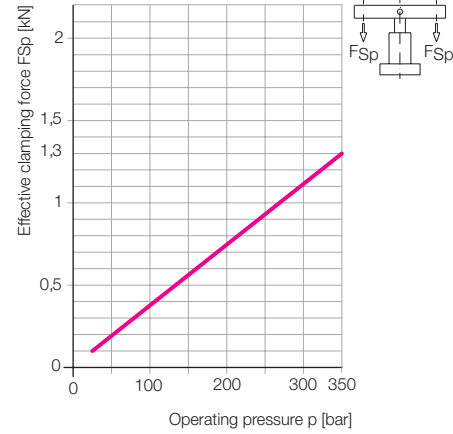
Double clamping arm, complete

Part no. 0354082

Contact bolt M 6 x 45
Part no. 3614138

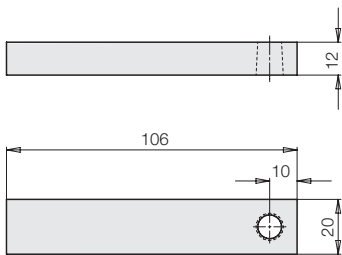


Clamping force diagram

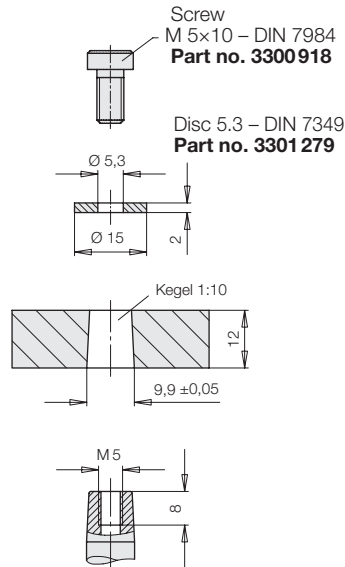


Clamping arm blank

Part no. 3548900



Dimensions for special clamping arms



Lock nut as per DIN 1804

Part no. 3527076

